

# MONITOR HEATING SYSTEMS

## GF3800 SERVICE PARTS LIST

GF3800 Diagram and Parts List

Page 1 of 4

NO.	PARTS NAME	PARTS NO.	QTY	REMARKS	NO.	PARTS NAME	PARTS NO.	QTY	REMARKS
1	ADJUSTABLE LEG	5019	4		37	BURNER ASSY	6637	1	
2	TRAY	6903	1		38	MIXING PLATE ASSY	6638	1	
3	AIR SUPPLY HOSE A	6301	1		39	BURNER PORT ASSY	6639	1	
4	AIR SUPPLY HOSE B	6302	1		40	FLAME HOLDER	6640	1	
5	AIR LINE B	6603	1		41	BURNER PACKING	6641	1	
6	O RING(P10)	6604	1		42	ORIFICE HOLDER	6642	1	
7	AUTOMATIC GAS VALVE UNIT	6606	1		43	ORIFICE GUIDE	6643	1	
8	GAS INLET JOINT	6608	1		44	GASKET 4	6644	1	
9	O RING(P11)	6609	1		45	BLOWER ASSY	6912	1	
10	GAS PIPE JOINT	6804	1		46	BLOWER MOTOR	6348	1	
11	O RING(P14)	6805	1		47	BLOWER CAPACITOR(2.5 μF)	6322	1	
12	GASKET 1	6614	1		48	SOLENOID	6406	1	
13	BURNER CHAMBER ASSY	6908	1		49	SUCTION CASE A ASSY	6324	1	
14	WINDOW PACKING	6616	1		50	SEAL PACKING	6144	1	
15	MICA PLATE	6617	1		51	PWB SPACER CLIP A	6461	9	
16	MICA HOLDER	6618	1		52	PWB SPACER CLIP B	6462	3	
17	PLUG BASE ASSY	6619	1		53	PWB ASSY	6900	1	
18	FLAME DETECTIVE PLUG ASSY	6620A	1		54	POWER TRANSFORMER	6907	1	
19	IGNITION ELECTRODE ASSY	6621	1		55	FAN CAPACITOR(1.8 μF)	6901	1	
20	PLUG HOLDER	6622	1		56	CABINET ASSY	6904	1	
21	PLUG PACKING	6623	1		57	RUBBER BUSH	6136	2	
22	GASKET 5	6624	1		58	STRAIN RELIEF BUSHING	4833	1	
23	GASKET 6	6625	1		59	POWER SUPPLY CORD	6706	1	
24	COMBUSTION CHAMBER ASSY	6626	1		60	CARRYNG HANDLE	6707	2	
25	GASKET 7	6627	1		61	SENSOR ASSY	6708	1	
26	CHAMBER CAP ASSY	6628A	1		62	METAL WIRE WAY B	6455	1	
27	GASKET 8	6313	1		63	METAL WIRE WAY A	6455	1	
28	HEAT EXCHANGER ASSY	6909	1		64	FAN ASSY	6075	1	
29	GASKET 9	6122	1		65	CIRCULATION MOTOR	6453	1	
30	EXHAUST DUCT ASSY	6630	1		66	BLOWER GUARD ASSY	6454	1	
31	O RING(P39)	6176	1		67	UNDER COVER	6711	1	
32	GASKET 2	6631	1		68	LOUVER ASSY	6712	1	
33	AIR PRESSURE SWITCH	6911	1		69	PLASTIC BUTTON PANEL	6906	1	
34	AIR LINE A	6633	1		70	LAMP PANEL	6714	1	
35	SPARKER	6634	1		71	CONTROL COVER	6715	1	
36	PRESSURE DETECTIVE PIPE	6910	1		72	SWITCH & LAMP ASSY	6716	1	

NOTE : TO OBTAIN PARTS, CONTACT YOUR DEALER OR,  
 MONITOR PRODUCTS, INC. P.O. BOX 3408, PRINCETON, NEW JERSEY 08543  
 For the name of the nearest Distributor.

Part # 6664 includes all highlighted parts

# MONITOR HEATING SYSTEMS

## GF3800 SERVICE PARTS LIST

GF3800 Diagram and Parts List

Page 2 of 4

NO.	PARTS NAME	PARTS NO.	QTY	REMARKS	NO.	PARTS NAME	PARTS NO.	QTY	REMARKS
73	FRONT COVER	6905	1		107	ORIFICE(NAT HA)	6661	1	
74	FAN THERMOSTAT	6914	1		108	ORIFICE(LP HA)	6662	1	
75	OVER HEAT THERMOSTAT	6704	1		109	MICROPROCESSOR	6913	1	
76	THERMAL FUSE	6652	1		110	FUSE(250V, 2A)	6173	1	
77	TOP COVER	6718	1		111	PHOTO TRIAC(IC2)	6701	1	
78	BODY CLAMPS	6194	2		112	PHOTO TRIAC(IC3)	6257	1	
79	VENT CONNECTOR	4004	1		113	PHOTO TRIAC(IC4)	6258	1	
80	PIPE HOLDER	4006	1		114	PHOTO TRIAC(IC5)	6259	1	
81	AIR SUPPLY HOSE ASSY	6145	1		115	TR ARRAY(M54563P) IC11	6187	1	
82	FLUE PIPE A/B	8050	1		116	TRIAC(Q1)	6255	1	
83	SLEEVE NUT	6723	1		117	BUZZER	6203	1	
84	SLEEVE FLANGE SET	6148	1		118	GF500 FLAME ROD/ELECTRODE ASSY	6664	1	
85	EXHAUST OUTLET CAP	4014	1						
86	AIR PORT O RING	4016	1						
87	AIR OUTLET CAP	4805	1						
88	HOSE BAND	4008	2						
89	AIR DAMPER NAT S	6653	1						
90	AIR DAMPER NAT E	6654	1						
91	AIR DAMPER LP S	6655	1						
92	AIR DAMPER LP E	6656	1						
93	ORIFICE(NAT GAS)	6657	1						
94	ORIFICE(LP GAS)	6658	1						
95	GAS PIPE ASSY	6659	1						
96	MANUAL GAS VALVE	6601	1						
97	Combustion Blower Assy Nut and Retaining Washer	6348A	1						
98	RESISTOR	6338	1						
99	SCREW SET FOR FLUE PIPE	6197	1						
100	CARTON BOX FOR GF 3800 L.P.	6902LP	1						
	CARTON BOX FOR GF 3800 NAT	6902NAT	1						
101	CUSHION SET	6721	1						
102	OWNERS GUIDE	1158	1						
103	TOUCH-UP PAINT(WHITE)	8216	1						
104	TOUCH-UP PAINT(M2400 GREY)	6722	1						
105	Cabinet Screw Assortment	6735	1						
106	PLUNGER ASSY	6406A	1						

NOTE : TO OBTAIN PARTS, CONTACT YOUR DEALER OR,  
 MONITOR PRODUCTS, INC. P.O. BOX 3408, PRINCETON, NEW JERSEY 08543  
 For the name of the nearest Distributor.

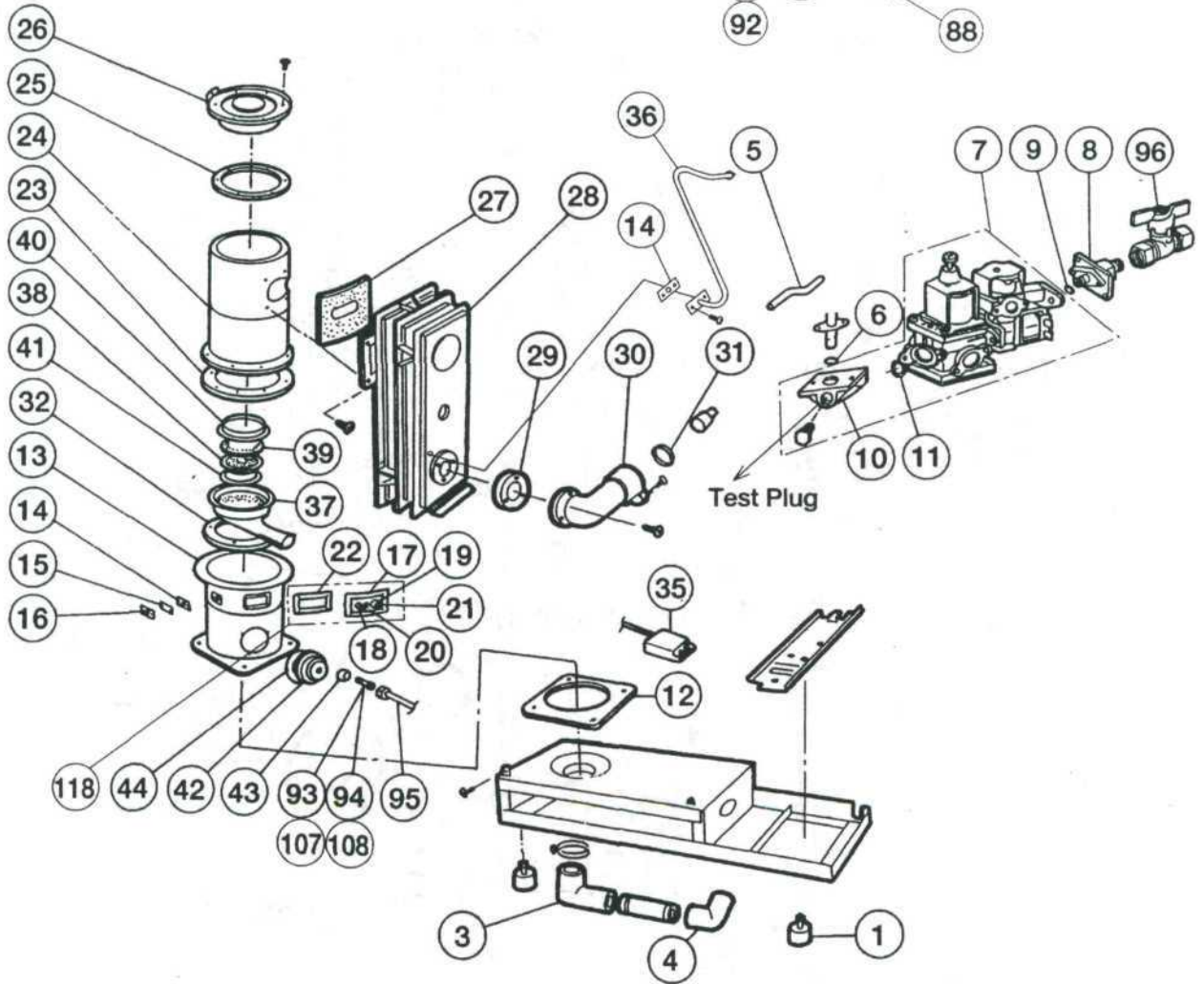
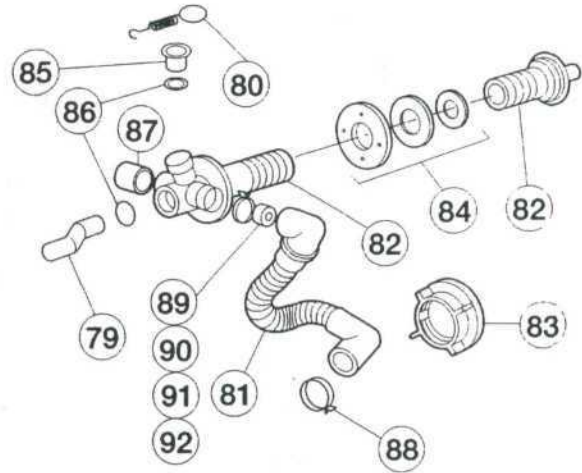
# MONITOR HEATING SYSTEMS

## Exploded Views and Parts List **GF3800**

GF3800 Diagram and Parts List

Page 3 of 4

- ⑨⑨ Screw Set for Flue Pipe
- ⑩⑩ Carton Box
- ⑩① Cushion Set
- ⑩② Owners Guide
- ⑩③ Touch-up Paint (White)
- ⑩④ Touch-up Paint (Grey)
- ⑩⑤ Cabinet Screw Assortment



# MONITOR HEATING SYSTEMS

## Exploded Views and Parts List **GF3800**

