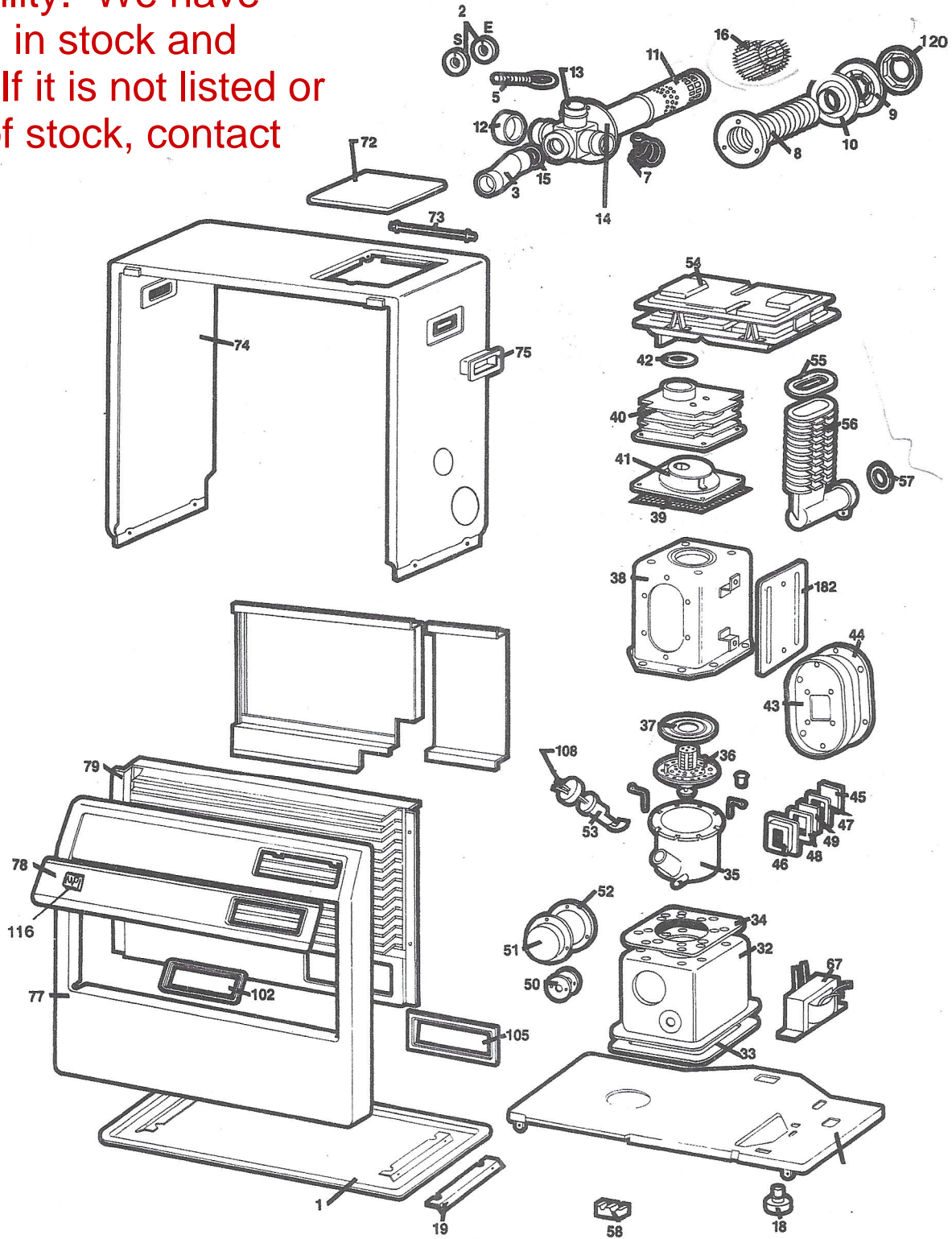


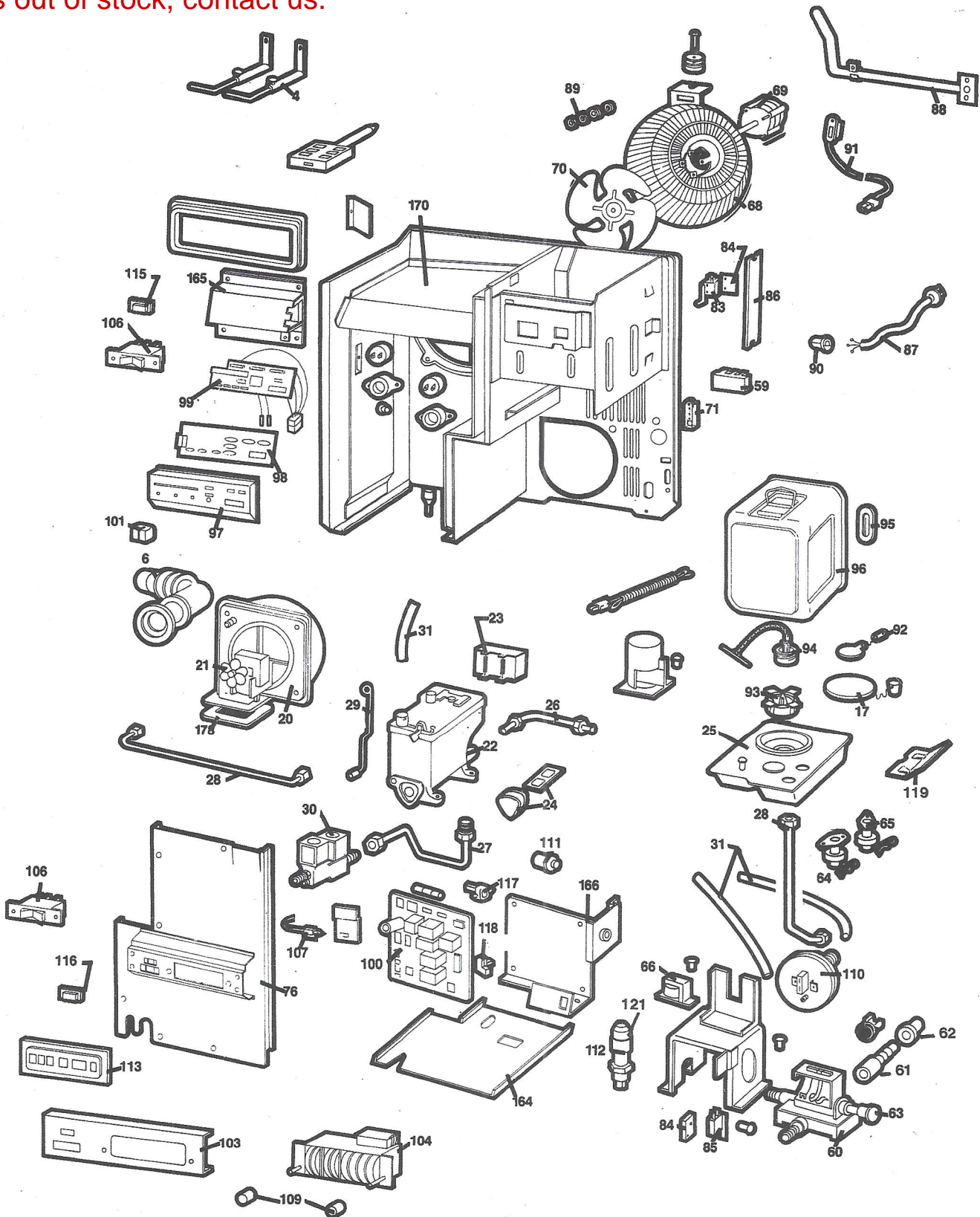
**MONITOR 20™
VENTED FURNACE
PARTS AND ACCESSORIES**

If you need a part for a Monitor 30 or a Monitor 20, contact us for availability. We have several in stock and listed. If it is not listed or is out of stock, contact us.



If you need a part for a Monitor 30 or a Monitor 20, contact us for availability. We have several in stock and listed. If it is not listed or is out of stock, contact us.

MONITOR 20™ VENTED FURNACE PARTS AND ACCESSORIES



If you need a part for a Monitor 30 or a Monitor 20, contact us for availability. We have several in stock and listed. If it is not listed or is out of stock, contact us.

MONITOR 20™ VENTED FURNACE PARTS AND ACCESSORIES

MONITOR 20™ VENTED FURNACE

REF. #	DESCRIPTION	MPI PART #	REF. #	DESCRIPTION	MPI PART #
1	Base Tray	5801	42	Top Joint Packing	5811
2	Air Damper Set (2 p.)	5003	43	Window Base	5044
3	Joint Pipe	4004	44	Window Base Packing	5045
4	Wall Clamp Set (2 required)	5005	45	Sub Window Packing	5046
5	Pipe Holder	4006	46	Window Frame	N.I.S.*
6	Air Supply Elbow	5007	47	Frame Packing — Large	5048
7	Hose Band	4008	48	Frame Packing A — Small	5049
8	Sleeve	4902	49	Window Plate	5050
9	Outer Flange	4010	50	Joint Packing	5051
10	Outer Packing	4803	51	Igniter Heater Cover	5052
11	Flue Pipe	5804	52	Heater Cover Packing	5053
12	Air Outlet Cap	4805	53	Igniter M-20	5812
13	Exhaust Outlet Cap	4014	54	Heat Exchanger	5813
14	Flue Pipe O-Ring	4015	55	Exchanger Duct Packing	5056
15	O-Ring Flue Pipe	4016	56	Exhaust Duct	5057
16	Exhaust Guard	4017	57	O Ring Heat Exchanger Outlet	4058
17	Fuel Sump Cap — Large	5018	58	Terminal Block Igniter	4059
18	Leg Set (4 p.)	5019	59	Terminal Block — Junct Box	5814
19	Spill Tray Clamp Set	5806	60	Select Cock Assembly	5060
20	Blower Assembly — Combustion	5808	61	Hose Nipple	N.I.S.*
21	Cooling Fan — Combustion	5808	62	Hose Nipple Cap	N.I.S.*
22	Fuel Control Valve Assembly	5022	63	Select Cock Dial	N.I.S.*
23	Fuel Controller Solenoid Valve	4023	64	Fuel Float Switch	5815
24	Control Valve Filter	4024	65	Water Float Switch	5816
25	Fuel Sump Assembly	N.I.S.*	66	Power Transformer	5817
26	Fuel Pipe J	5026	67	Igniter Transformer	5818
27	Fuel Pipe A	5027	68	Moter Guard Assembly	5069
28	Fuel Pipe B	5028	69	Fan Motor Assembly	5819
29	Fuel Set Lever	5029	70	Fan	N.I.S.*
30	Safety Solenoid Valve	4030	71	Level	5072
31	Air Hose	4032	72	Tank Cover	5820
32	Burner Base	5810	73	Tank Cover Fulcrum	5075
33	Burner Body Packing	5035	74	Cabinet Assembly	5821
34	Burner Packing	5036	75	Cabinet Handle (2 required)	4822
35	Burner Pot Assembly	5037	76	Top Shelter	5823
36	Combustion Ring Assembly	5038	77	Front Cover	5824
37	Combustion Ring (T)	5039	78	Front Panel	5825
38	Burner Body Assembly	5040	79	Guard Assembly	5826
39	Top Packing Set	5041	80	Burner Thermostat	5827
40	Top Body	5042	81	Thermostat A (105°)	5828
41	Baffle Assembly	5043	82	Thermostat B (90°)	5829

**MONITOR 20™
VENTED FURNACE
PARTS AND ACCESSORIES**

REF. #	DESCRIPTION	MPI PART #
83	Micro Switch — Tank	5095
84	Insulator — Micro Switch (2 required)	5830
85	Micro Switch — Select Cock	5097
86	Insulator A	5098
87	Power Cord	N.I.S.*
88	Lead Wire Pipe	5832
89	Rubber Cushion Set	5102
90	Cord Bushing Set	4833
91	Heat Sensor Assy.	4103
92	Fuel Sump Cap — Small	5105
93	Fuel Filter	5106
94	Fuel Tank Cap W/Chain	5834
95	Fuel Gauge Assembly	5108
96	Fuel Tank Assembly	5835
97	Control Panel	5836
98	Control Panel Base	5837
99	Printed Circuit Board A — Upper	5838
100	Printed Circuit Board B — Lower	5839
101	Temperature Adjust Knob	5840
102	C P Frame	5841
103	Timer Panel	5842
104	Timer Assembly	5122
105	Timer Frame	5843
106	Turn Switch (2 required)	5844
107	Timer Lamp	5845
108	Igniter Cap	4127
109	Timer Adjust Knob (2 required)	5846
110	Air Pressure Switch	4847
111	Push When Empty Switch	5848
112	Fuse Holder	4849
113	Timer Glass	5850
114	Lamp Glass/Red (3 required)	5851
115	Lamp Glass/Green (2 required)	5852
116	MPI Logo	5853
117	P.C.B. Holder A (3 required)	5854
118	P.C.B. Clip	4855
119	Float Switch Cover	N.I.S.*
120	Sleeve Nut	4212
121	Main Fuse 3A 125V	4219

* Not in stock, please telephone MPI for availability.

NOTE: Quantity required is one (1) except where otherwise indicated.

If you need a part for a Monitor 30 or a Monitor 20, contact us for availability. We have several in stock and listed. If it is not listed or is out of stock, contact us.