

MONITOR HEATING SYSTEM Parts List

GF200 Diagram and Parts List

Page 1 of 4

NO.	PARTS NAME	PARTS NO.	QTY	REMARKS	NO.	PARTS NAME	PARTS NO.	QTY	REMARKS
1	ADJUSTABLE LEG	5019	4		33	PRESSURE DETECTIVE PIPE	6820	1	
2	TRAY	6800	1		34	BURNER ASSY	6821	1	
3	AIR SUPPLY HOSE A	6101	1		35	MIXING PLATE ASSY	6822	1	
4	AIR SUPPLY HOSE B	6102	1		36	BURNER PORT ASSY	6823	1	
5	O RING (P10)	6604	1		37	FLAME HOLDER	6824	1	
6	AUTOMATIC GAS VALVE UNIT	6801	1		38	BURNER PACKING	6825	1	
7	GAS PIPE ASSY	6802	1		39	ORIFICE HOLDER	6826	1	
8	GAS INLET JOINT	6803	1		40	ORIFICE GUIDE	6643	1	
9	O RING (P11)	6609	1		41	GASKET 7	6827	1	
10	GAS PIPE JOINT	6804	1		42	BLOWER ASSY	6828	1	
11	O RING (P14)	6805	1		43	BLOWER MOTOR	6829	1	
12	MANUAL GAS VALVE	6601	1		44	SOLENOID	6142	1	
13	GASKET 1	6806	1		45	SUCTION CASE A	6143	1	
14	BURNER CHAMBER ASSY	6807	1		46	SEAL PACKING	6144	1	
15	WINDOW PACKING	6616	1		47	PWB SPACER CLIP A	6461	2	
16	MICA PLATE	6617	1		48	PWB SPACER CLIP B	6462	14	
17	MICA HOLDER	6618	1		49	PWB ASSY	6830	1	
18	PLUG BASE ASSY	6808	1		50	CABINET ASSY	6831	1	
18-1	FLAME DETECTIVE PLUG ASSY	6809	1		51	RUBBER BUSH	6136	2	
18-2	IGNITION ELECTRODE ASSY	6810	1		52	CORD BUSHING	6833	1	
18-3	PLUG HOLDER	6622	1		53	POWER SUPPLY CORD	6648	1	
18-4	PLUG PACKING	6623	1		54	CARRYING HANDLE	6138	2	
19	GASKET 5	6811	1		55	SENSOR ASSY	6186	1	
20	GASKET 6	6812	1		56	SLIDE SWITCH ASSY	6649	1	
21	COMBUSTION CHAMBER ASSY	6813	1		57	SLIDE SWITCH PANEL	6207	1	
22	ORIFICE (NAT GAS)	6814	1		58	KNOB	6208	1	
23	ORIFICE (LP GAS)	6815	1		59	WIRING GUARD	6263	1	
24	GASKET 4	6120	1		60	FAN BLADE	6180	1	
25	HEAT EXCHANGER ASSY	6816	1		61	CIRCULATION MOTOR	6262	1	
26	GASKET 6	6122	1		62	BLOWER GUARD ASSY	6261	1	
27	EXHAUST DUCT ASSY	6630	1		63	UNDER COVER	6832	1	
28	O RING (P39)	6176	1		64	LOUVER ASSY	6210	1	
29	GASKET 2	6817	1		65	FRONT COVER	6833	1	
30	AIR PRESSURE SWITCH	6818	1		66	LAMP PANEL	6834	1	
31	AIR LINE	6819	1		67	SWITCH & LAMP ASSY	6835	1	
32	SPARKER	6634	1		68	FAN THERMOSTAT	6152	1	

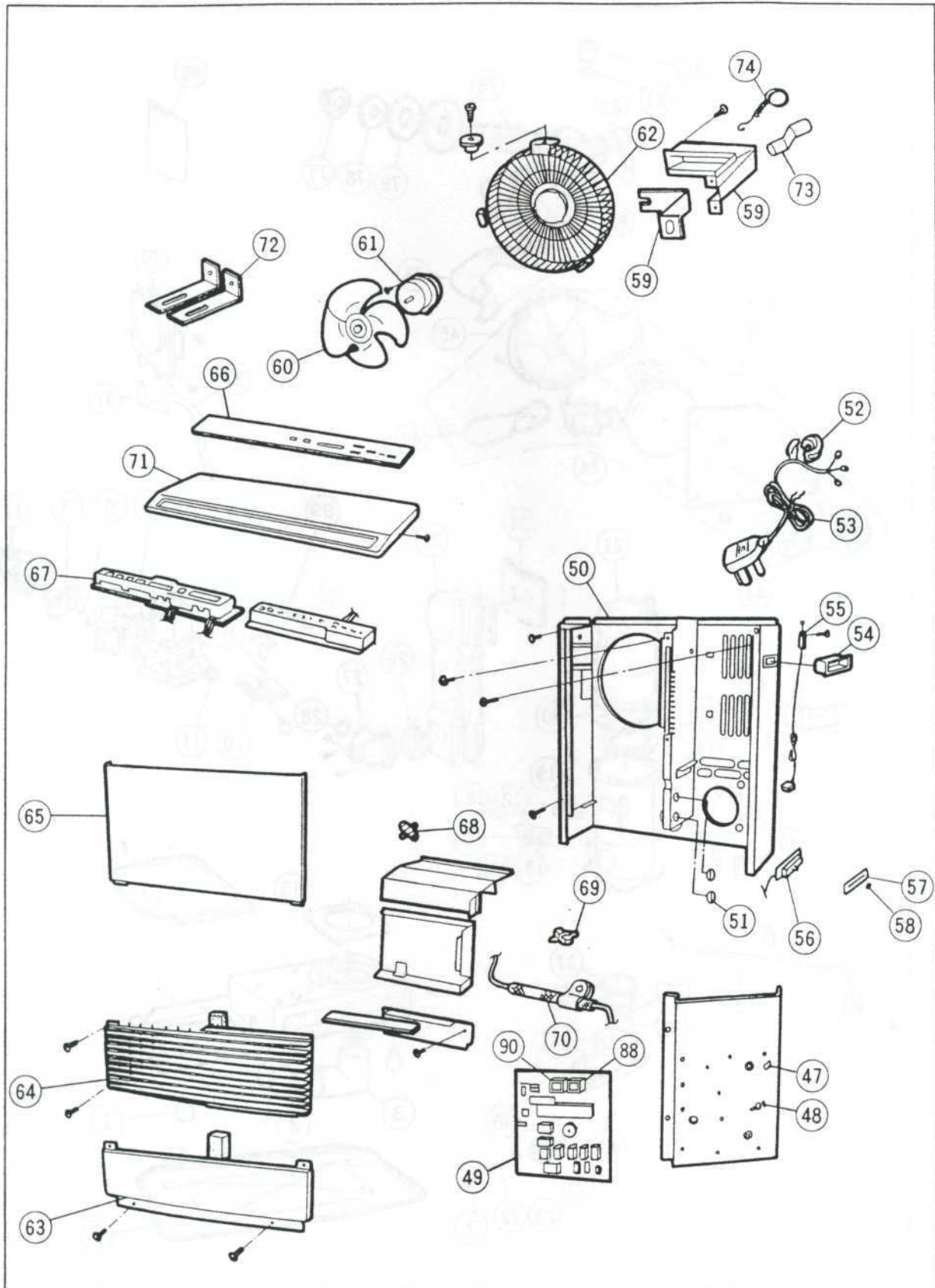
Part # 6847 includes all highlighted parts

NOTE : TO OBTAIN PARTS, CONTACT YOUR DEALER OR,
MONITOR PRODUCTS, INC. P.O. BOX 3408, PRINCETON, NEW JERSEY 08543

MONITOR HEATING SYSTEM Exploded Views and Parts List

GF200 Diagram and Parts List

Page 3 of 4



MONITOR HEATING SYSTEM

Exploded Views and Parts List

