

# L A S E R H E A T I N G S Y S T E M S

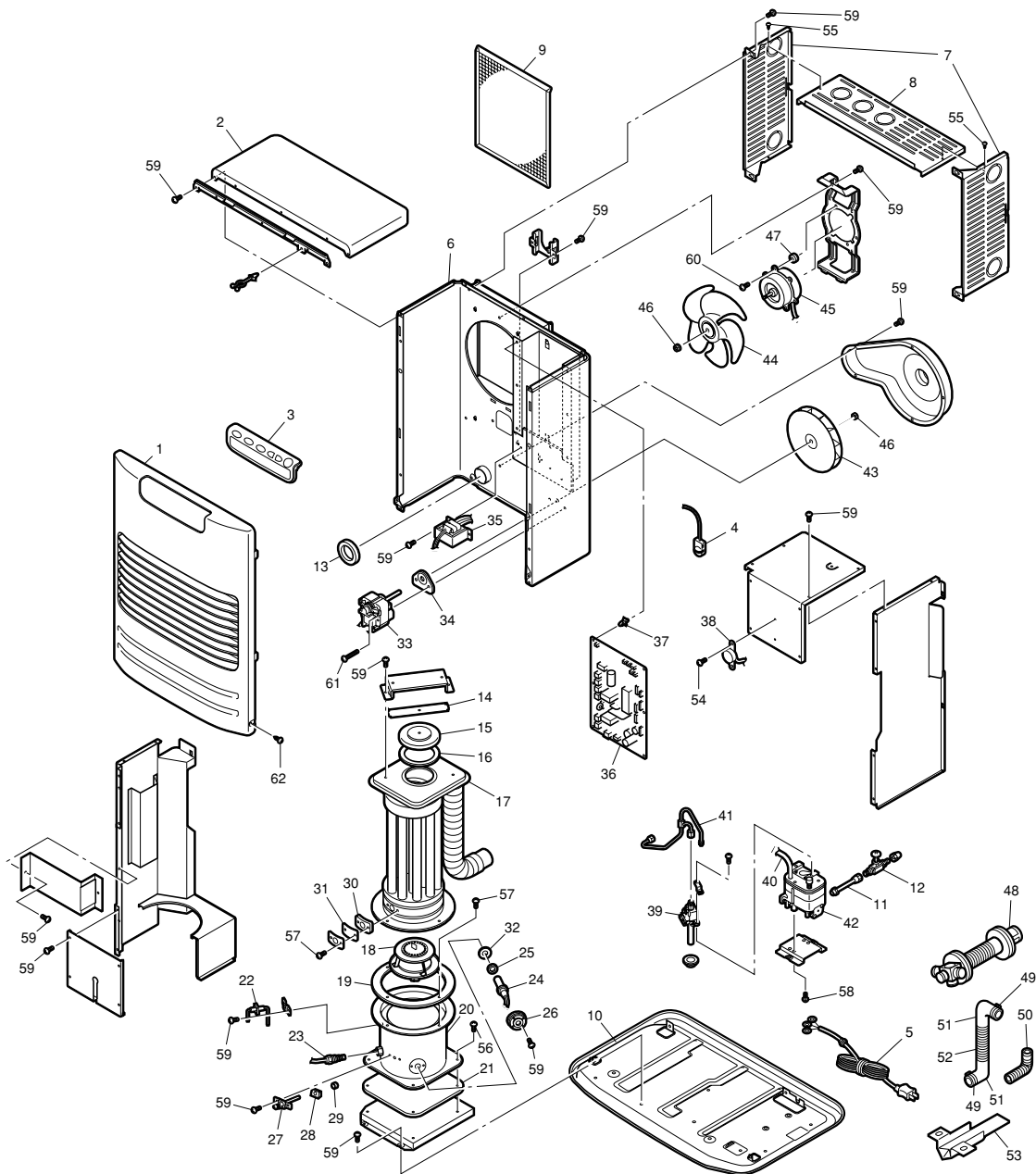
## Section 6

## Trouble Shooting

### 6-6 PARTS DESCRIPTION

OM 22-A - Oil Miser 22A

Page 1 of 2



## Section 6

## Trouble Shooting

### 6-6 PARTS DESCRIPTION

REF #	PART #	PART NAME	REF #	PART #	PART NAME
1	20479827	Front panel	36	20479512	Main circuit board
2	20479860	Top plate assembly	37	20477414	PCB support
3	20479877	Indicator lamp circuit	38	20478306	High limit switch
4	20478373	Thermistor	39	20479819	Fuel pump
5	20475535	Power supply cord	40	20479886	Draft tube
6	20479846	Cabinet assembly	41	20479841	Fuel pipe assembly
7	20479851	Rear guard	42	20478534	Fuel sump
8	20479850	Rear guard top	43	20479803	Air intake fan
9	20479840	Circulation air filter	44	20474171	Circulation fan
10	20479829	Drip tray	45	20479869	Circulation fan motor
11	20479852	Leveler fuel pipe	46	20474166	Nut B
12	10005597	Fusible link valve	47	20474039	Insulator A
13	20479568	Air joint gasket	48	20478901	Standard flue pipe
14	20479531	Relief spring	49	20474977	Hose band
15	20479530	Pressure relief plate	50	20479884	Bent joint
16	20479591	Relief gasket	51	20474975	L-shaped hose
17	20479844	Heat exchanger	52	20474951	Intake pipe
18	20478343	Burner ring	53	20474925	Oil catch
19	20479893	Heat exchanger gasket	54	20450120	Screw for igniter unit
20	20479842	Burner assembly	55	20474052	Screw E
21	20479894	Burner gasket	56	20474048	Screw B
22	20479811	Primary flame rod	57	20476452	Screw B2
23	20479573	Burner thermistor	58	20475553	Screw 1P
24	20479518	Igniter	59	20474050	Screw C
25	17185580	Igniter gasket	60	20474055	Screw O
26	20474920	Igniter cover	61	20478355	Screw 1Z
27	20478026	Fuel nozzle	62	20478156	Screw 1S
28	20479885	Outside nozzle gasket	63	20479896	Instruction manual
29	20479883	Fuel nozzle gasket	64	20479899	Carton
30	17185327	Window gasket			
31	17185314	Peep window			
32	20479521	Igniter guide gasket			
33	20479837	Blower motor assembly			
34	20479574	Blower motor gasket			
35	20478317	Transformer			