

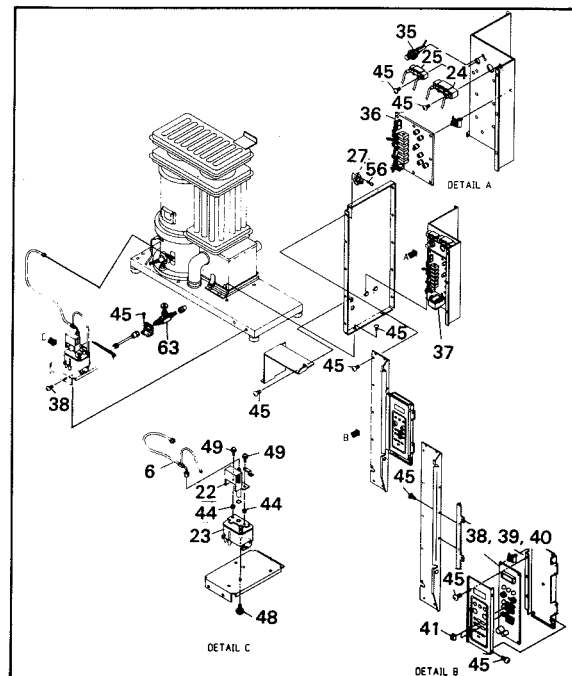
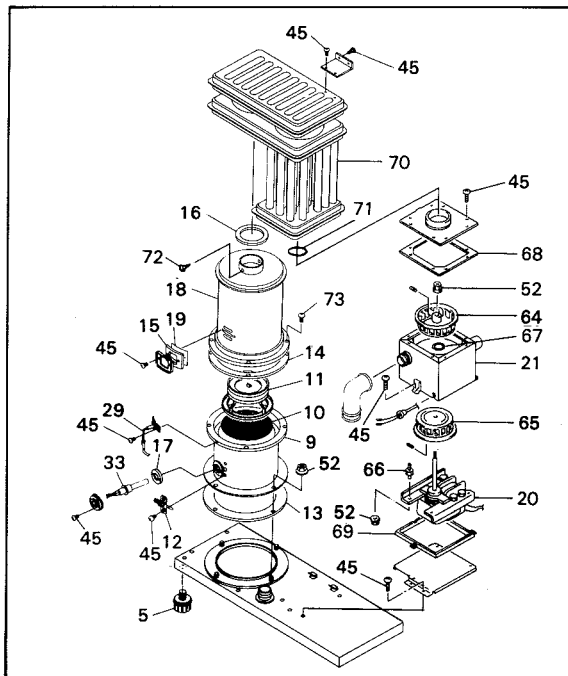
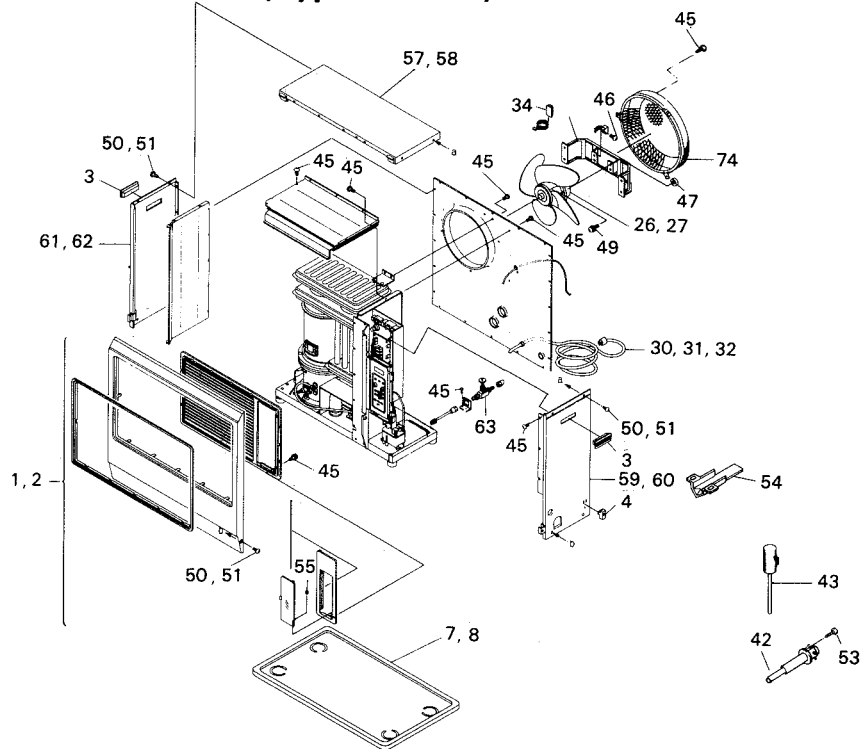
# L A S E R H E A T I N G S Y S T E M S

## Section 6

## Trouble Shooting

### 6-6 PARTS DESCRIPTION

#### Laser Clean Vented Laser 72 (Type C, D, E)/FF-71



# L A S E R H E A T I N G S Y S T E M S

## Section 6

## Trouble Shooting

### 6-6 PARTS DESCRIPTION

#### Laser Clean Vented Laser 72 (Type C, D, E) / FF-71

REF #	PART #	PART NAME	REF #	PART #	PART NAME
1	20478146	Front panel assembly (Laser 72)	41	20475701	Knob for temperature selector*
2	20475846	Front panel assembly (FF-71)	42	20479801	Standard flue pipe* (1989 model)
3	20475804	Carrying handle*	43	20474045	Syringe*
4	20470007	Plumb bob*	44	20474014	Spacer A*
5	20475170	Adjustable leg*	45	20474050	Screw C* (=20478091)
6	20475841	Fuel pipe assembly	46	20474051	Screw D*
7	20478129	Drip Tray (Laser 72)	47	20474039	Insulator A*
8	20475829	Drip Tray (FF-71)	48	20475553	Screw 1P*
9	20475842	Burner assembly	49	20474055	Screw O*
10	20475813	Burner mat*	50	20478156	Screw 1S (Laser 72)
11	20475843	Burner ring*	51	20474052	Screw E (FF-71)
12	20475834	Fuel nozzle*	52	20474057	Flange nut*
13	20475194	Burner gasket*	53	20474272	Screw M*
14	20475893	Heat chamber gasket*	54	20474925	Oil catch*
15	20475881	Peep window gasket* (=20478081)	55	20474059	Holder A*
16	20474992	Joint packing*	56	20470120	Screw for igniter unit*
17	20474080	Igniter gasket*	57	20478160	Top plate (Laser 72)
18	20475808	Heat chamber assembly	58	20475862	Top plate (FF-71)
19	20475831	Mica window* (=20478031)	59	20478163	Right side panel (Laser 72)
20	20475837	Blower motor assembly*	60	20475863	Right side panel (FF-71)
21	20475847	Blower motor assembly* with case	61	20478164	Left side panel (Laser 72)
22	20475819	Fuel pump*	62	20475864	Left side panel (FF-71)
23	20475534	Fuel sump*	63	10005597	Fusible link valve (Laser 72 Type D,E)
24	20475890	Resistor A*	64	20475871	Blower motor exhaust fan*
25	20475891	REsistor B*	65	20475883	Blower motor intake fan*
26	20479469	Circulation fan motor (Laser 72 Type D, E)	66	20475872	Motor mount*
27	20475169	Circulation fan motor (Laser 72 Type C, FF-71)	67	20475874	Washer for blower motor*
28	20474506	High limit switch*	68	20475875	Blower motor case gasket*
29	20475811	Primary flame rod*	69	20475878	Rubber mat*
30	20475535	Power supply cord* (Laser 72 Type D, E)	70	20475844	Heat exchanger*
31	20478135	Power supply cord (Laser 72 Type C)	71	20475877	O-ring (φ75)
32	20475035	Power supply cord (FF-71)	72	20478090	Screw 1T (=20475556)
33	20475518	Igniter (=20475818)	73	20478091	Screw 1U (=20474050)
34	20455773	Thermistor*	74	20457172	Fan cover
35	20474579	Fuse*	75	20479895	Instruction manual (Laser 72 Type E)
36	20475712	Main circuit board*	76	20479499	Carton (Laser 72 Type D, E)
37	20475817	Transformer*			
38	20479876	Indicator lamp circuit (Laser 72 Type E) (=20475976)			
39	20475976	Indicator lamp circuit (Laser 72 Type C, D) (=20475776)			
40	20475776	Indicator lamp circuit (FF-71) (=20475976)			

\*All Types

Note: FF-71 contains 1986 modifications.

Laser 72 Type C contains 1987 graphic modifications.

Laser 72 Type D contains UL type and 1988 modifications.

Laser 72 Type E contains 1989 modifications