

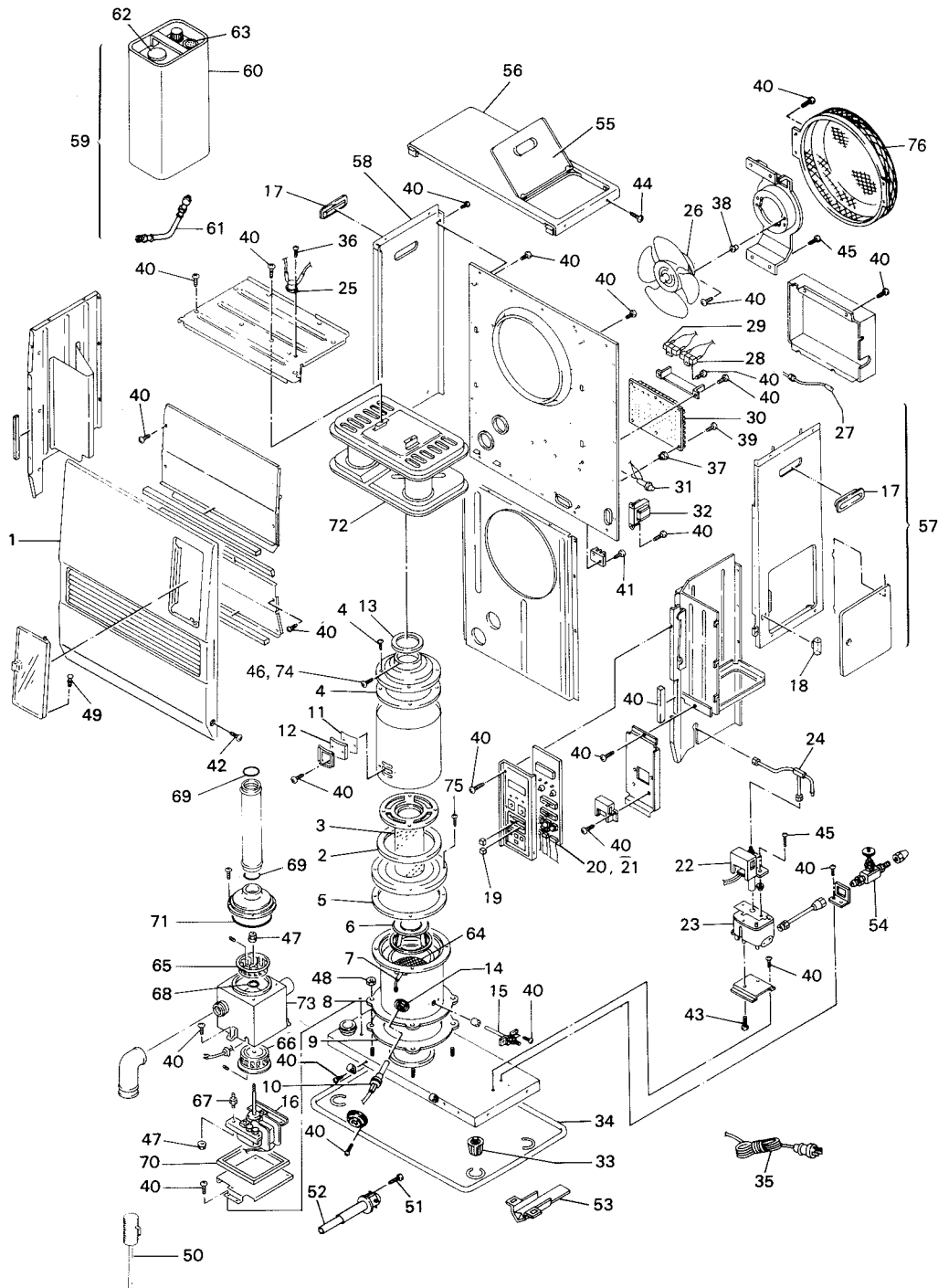
L A S E R H E A T I N G S Y S T E M S

Section 6

Trouble Shooting

6-6 PARTS DESCRIPTION

Laser Clean Vented Laser 55 (Type A and B)



L A S E R H E A T I N G S Y S T E M S

Section 6

Trouble Shooting

6-6 PARTS DESCRIPTION

Laser Clean Vented Laser 55 (Type A and B)

REF #	PART #	PART NAME	REF #	PART #	PART NAME
1	20478046	Front panel assembly	50	20474045	Syringe
2	20475082	Lower gasket	51	20474272	Screw M
3	20478008	Heat element assembly	52	20479801	Standard flue pipe (1989 model)
4	20475081	Upper gasket	53	20474925	Oil catch
5	20475093	Heat chamber gasket	54	10005597	Fusible link valve
6	20475543	Burner ring	55	20475965	Tank lid with pin
7	20475011	Primary flame rod	56	20475960	Top plate with tank lid
8	20475542	Burner assembly	57	20475963	Right side panel with access door
9	20475094	Burner gasket	58	20475964	Left side panel
10	20475518	Igniter	59	20475922	Removable fuel tank with hose
11	20478031	Mica window (=20475831)	60	20475722	Removable fuel tank without hose
12	20478081	Peep window gasket (=20475881)	61	20475925	Fuel supply hose
13	20474992	Joint packing	92	20475924	Fuel tank cap
14	20474080	Igniter gasket	63	20475923	Fuel gauge
15	20475526	Fuel nozzle	64	20474113	Burner mat
16	20475537	Blower motor assembly	65	20475971	Blower motor exhaust fan
17	20475804	Carrying handle	66	20475983	Blower motor intake fan
18	20470007	Plumb bob	67	20475872	Motor mount
19	20475701	Knob for temperature selector	68	20475874	Washer for blower motor
20	20479876	Indicator lamp circuit (Type B) (=20475976)	69	20475977	O-ring (φ49)
21	20475976	Indicator lamp circuit (Type A)	70	20475978	Rubber mat
22	20475519	Fuel pump	71	20478082	O-ring (φ110)
23	20475534	Fuel sump	72	20478044	Heat exchanger
24	20475741	Fuel assembly	73	20475547	Blower motor assembly with case
25	20474506	High limit switch	74	20478090	Screw 1T (=20475556)
26	20475569	Circulation fan motor	75	20478091	Screw 1U (=20474050)
27	20475773	Thermistor	76	20475072	Fan cover
28	20475590	Register A	77	20478096	Instruction manual (Type B)
29	20475591	Register B	78	20478099	Carton
30	20475712	Main circuit board			
31	20474579	Fuse			
32	20475717	Transformer			
33	20474970	Adjustable leg			
34	20475929	Drip tray			
35	20475535	Power supply cord			
36	20450120	Screw for igniter unit			
37	20474014	Spacer A			
38	20474039	Insulator A			
39	20474049	Screw R			
40	20474050	Screw C			
41	20474051	Screw D			
42	20478156	Screw 1S			
43	20475553	Screw 1P			
44	20475554	Screw 1Q			
45	20474055	Screw O			
46	20475556	Screw 1R			
47	20474057	Flange nut			
48	20474586	Nut H			
49	20474059	Holder A			

Note: Laser 55 Type B contains 1989 modifications.